

CALIBER[®] Edge Glides Enclosed (page 1 of 2)

Installation Instructions for Part No's: 13360 and 13361

READ ALL INSTRUCTIONS CAREFULLY PRIOR TO INSTALLATION

TOOLS REQUIRED:

Power Drill with #2 Phillips, 1/8" & 1/2" Drill bit
3/8" Ratchet or driver
Pencil or Marker

HARDWARE INCLUDED:

2 or 4 Edge Glides with Stainless Hinges
8 or 16 10-24 SS Bolts, washers and lock nuts
1 or 2 24 Pack of #6 Flat Head SS Screws

RECOMMENDED APPLICATIONS

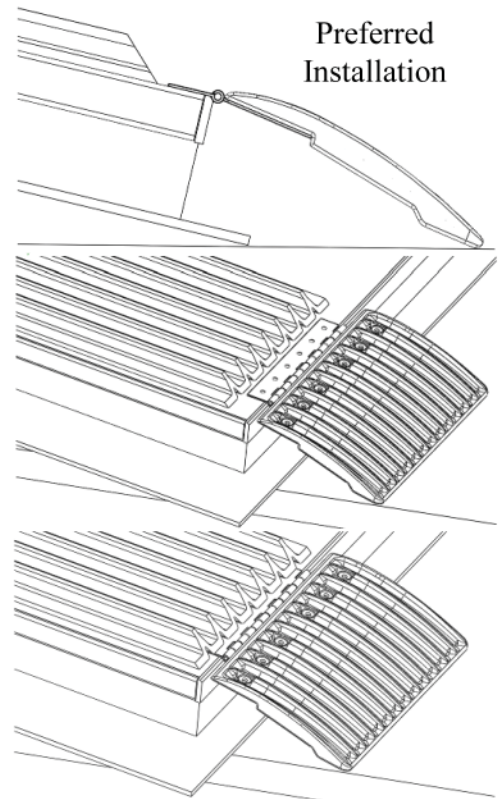
Edge Glide Enclosed (2- and 4-pc. kits) Part No. 13360 and 13361 - Designed primarily for enclosed trailers to eliminate hard entrance onto trailer doors. They are also used to bridge the gap between trailer door hinge and trailer decks.

NOTE: Pre-drilling where the screws go into any metal part of the trailer may be needed, but caution should be used when installing the fasteners in areas where marker lights and wires have been installed under the trailer deck. Some trailers have thinner decks than others.

Step 1: Check trailer lift assist system to understand clearance for hinged edge glide. If cable lift assist has enclosure housing, you will have to install with "**Alternate Installation**". If cable lift assist does not have an enclosure housing and allows for clearance of Edge Glide in the tilted up position, then proceed to step 2.

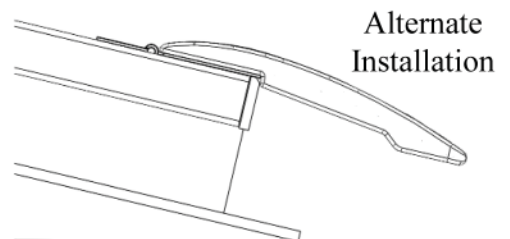
Step 2: Assemble all 4 bolts with washers behind bolt head through hinge on each Edge Glide. Make sure correct alignment allows for hinge flat to fit flush to Edge Glide when tight. Make sure lock nuts are tightened completely.

Step 3: Align hinge to Glides for proper alignment. Make sure you test hinge in upward position with a piece of tape to check clearance. Glides that cover hinge and fasteners will need room to get past the 90 Degree minimum for proper door closure. After testing clearance, fasten hinge plate with 6 flathead screws. If you are fastening into Aluminum, pre-drill holes with a 1/8" drill bit and then fasten the hinge plate 6 flathead screws until you have solid connection.



Alternate Installation:

If enclosed trailer door cable lift assist has enclosure housing, you will need to mount the hinge up 2" to allow for clearance. In this position (shown to the right), the Edge Glide does not rest on the ground but provides ample flex for glide onto your door. This application is the same as Edge Glide Tilt with tilt trailers.



CALIBER[®]

952-985-9999

www.caliberproductsinc.com

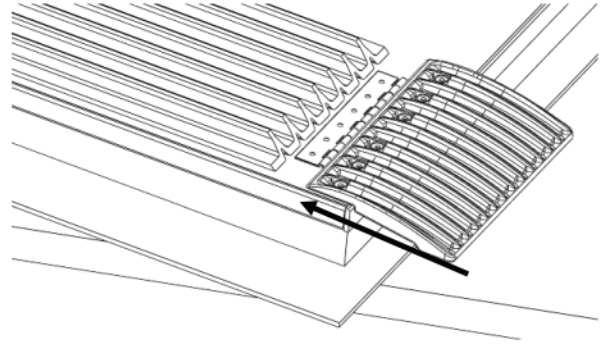
CI5059

CALIBER[®] Edge Glides Enclosed (page 2 of 2)

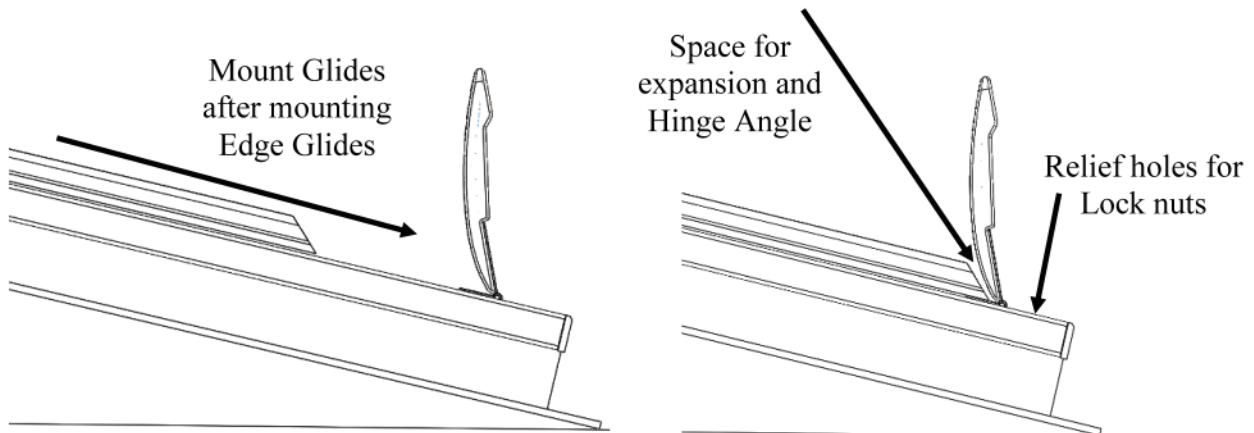
Installation Instructions for Part No's: 13360 and 13361

READ ALL INSTRUCTIONS CAREFULLY PRIOR TO INSTALLATION

Next: Follow Steps 2 and 3 standard installation but move hinge up approx. 2" so it is positioned as shown. Make sure Edge Glide is supported up to the step as shown in first illustration. Push down on Edge Glide to mark deck for clearance of bolts and nuts. Drill out relief holes for bolts and nuts with a 1/2" drill bit to a minimum of 3/8" depth. Check flushness and make appropriate clearance with drill.



NOTE: Make sure you check clearance of your door glides to allow for clearance of Edge Glide in the upward position. Also allow enough clearance for expansion of glides. If you have to drill into aluminum, pre-drill pilot holes with a 1/8" drill bit.



WARNING: These products are only designed to reduce resistance created when loading/unloading snowmobiles from trailer deck. Surfaces are slippery, especially when wet or covered with frost, ice and/or snow. Extreme caution should be taken when walking or climbing on any trailer deck on which any Caliber products are installed. Do not use these products for any other use. **Do Not Stand On Edge Glides.** Do not stand behind snowmobiles when loading/unloading. Always load snowmobiles at low speeds using extreme caution.

CALIBER, INC. LIMITED LIFETIME WARRANTY

Caliber, Inc. warrants that this product will be free from defects in material or workmanship under normal use, installation and service. Caliber, Inc. reserves the right, before having any obligation under this limited warranty, to inspect the damaged Caliber product. All warranty shipping costs for inspection shall be borne solely by the purchaser. This limited warranty is non-transferable. Contact Caliber, Inc. at www.caliberproductsinc.com or at 952-985-9999 for warranty service procedures.

DISCLAIMER

Caliber, Inc. shall not be liable for any special, incidental or consequential damages, including, but not limited to, lost revenues, lost profits, personal injury, damage to property, and third-party claims, arising out of any warranty, contract, statutory or tort. Notwithstanding the term of any limited warranty or any warranty implied by law, or in the event that any limited warranty fails of its essential purpose, in no event will Caliber's entire liability exceed the purchase price of this product.

CALIBER[®]

952-985-9999

www.caliberproductsinc.com

CI5059