

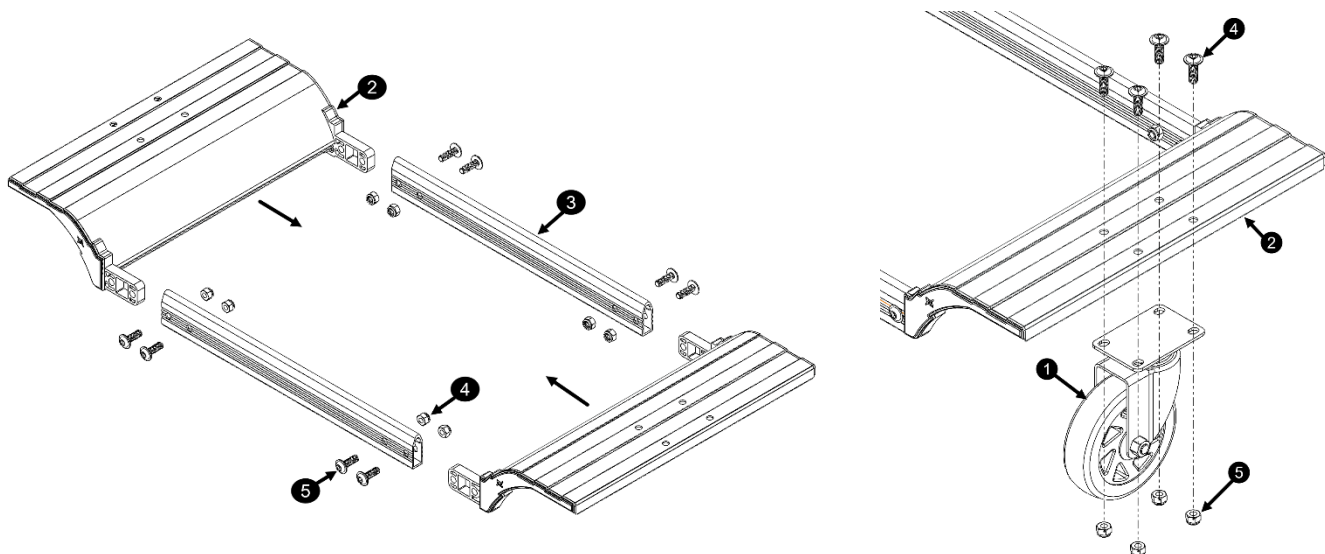


**READ ALL INSTRUCTIONS CAREFULLY PRIOR TO INSTALLATION**

**⚠ WARNING:**

- Read all instructions before use.
- Set Parking Brake before moving Snowmobile.
- DO NOT operate snowmobile while using Trax Wheels 2.0
- Load Limit 500lbs.

Parts List			
Item No.	Part Number	Description	QTY
1	CR0194	Caster Wheel	2
2	CR0197	Mounting Plate	2
3	CR1303	Side Rail	2
4	CH0520	Lock Nut, M8	16
5	CH0347	Flange Bolt, M8 x 25MM	16
Tools Required			
5MM Hex Key			
13MM Socket or Wrench			



**Step 1:** Attach Mounting Plates (2) and Side Rails (3) together. Faster with Lock Nuts (4) and Flange Bolts (5).

**Step 2:** Attach Caster (1) and Mounting Plates (2) together. Faster with Lock Nuts (4) and Flange Bolts (5).

**Step 3:** Check all connections to ensure all hardware is secure.

**CALIBER, INC. LIMITED LIFETIME WARRANTY:** Caliber, Inc. warrants that this product will be free from defects in material or workmanship under normal use installation and service. Caliber, Inc. reserves the right, before having any obligation under this limited warranty, to inspect the damaged Caliber product. All warranty shipping costs for inspection shall be borne solely by the purchaser. This limited warranty is non-transferable. Contact Caliber, Inc. at [www.caliberproductsinc.com](http://www.caliberproductsinc.com) or at 952-985-9999 for warranty service procedures

**DISCLAIMER:** Caliber, Inc. shall not be liable for any special, incidental or consequential damages, including, but not limited to, lost revenues, lost profits, personal injury, damage to property, and third-party claims, arising out of any warranty, contract, statutory or tort. Notwithstanding the term of any limited warranty or any warranty implied by law, or in the event that any limited warranty fails of its essential purpose, in no event will Caliber's entire liability exceed the purchase price of this product.