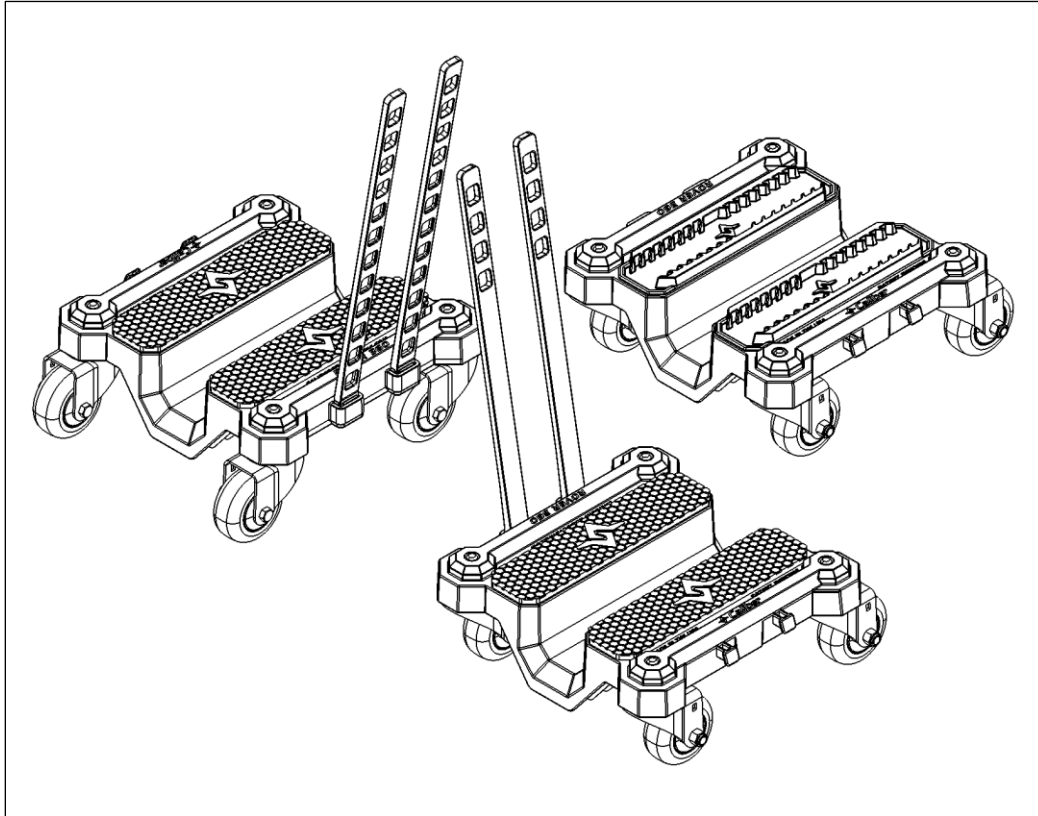




READ ALL INSTRUCTIONS CAREFULLY PRIOR TO INSTALLATION

⚠ WARNING:

- Read all instructions before use.
- DO NOT exceed 800 lbs. maximum snowmobile weight.
- Caliber Inc. is NOT responsible for the use of this product.



Components Included		
Part Number	Description	QTY
61378	Platform, Dolly	4
61375	Caster, Swivel	12
61379	Pad, Ski	4
61376	Strap, Ski	4
61377	Pad, Track	2

CALIBER, INC. LIMITED LIFETIME WARRANTY: Caliber, Inc. warrants that this product will be free from defects in material or workmanship under normal use installation and service. Caliber, Inc. reserves the right, before having any obligation under this limited warranty, to inspect the damaged Caliber product. All warranty shipping costs for inspection shall be borne solely by the purchaser. This limited warranty is non-transferable. Contact Caliber, Inc. at www.caliberproductsinc.com or at 952-985-9999 for warranty service procedures

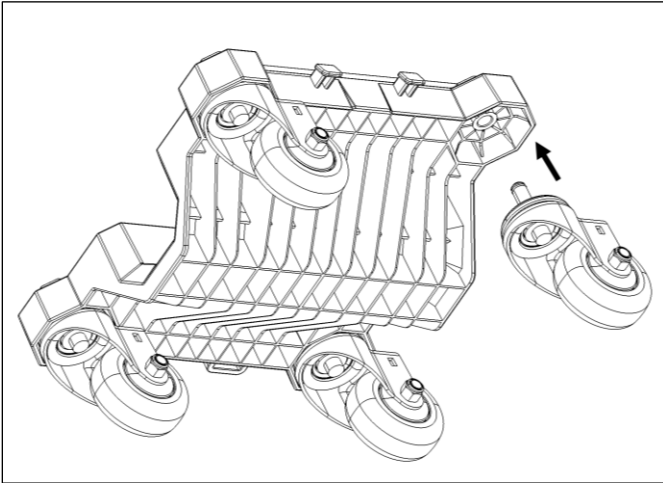
DISCLAIMER: Caliber, Inc. shall not be liable for any special, incidental or consequential damages, including, but not limited to, lost revenues, lost profits, personal injury, damage to property, and third-party claims, arising out of any warranty, contract, statutory or tort. Notwithstanding the term of any limited warranty or any warranty implied by law, or in the event that any limited warranty fails of its essential purpose, in no event will Caliber's entire liability exceed the purchase price of this product.



13616: Rover 360 Snowmobile Dollies Installation Instructions

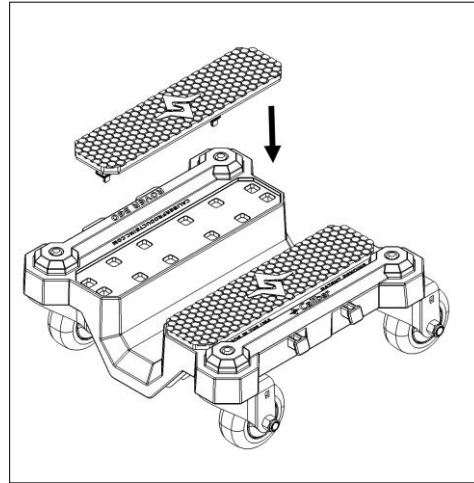
Step 1:

Insert Swivel Casters in to bottom side of Dolly Platforms.



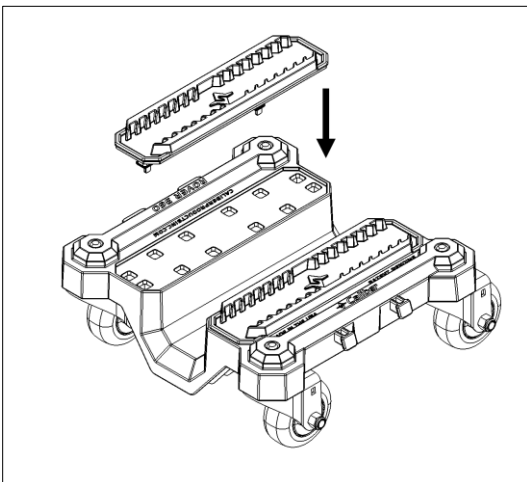
Step 2:

Insert Ski Pads into Dolly Platforms.



Step 3:

Insert Track Pads into Dolly Platforms.



Step 4:

Insert Ski Straps into the Platform.

